

**THE VINYL HORIZONTAL BLINDS
COLLECTION**

Worldwide's selection of 2-inch vinyl horizontal blinds offers an extensive assortment of rich patterns and colors sure to enhance any decor. Beautiful, yet durable, these blinds sport a host of attractive features:

- ◆ 2-inch slat style provides dramatic look to windows
- ◆ UV resistant materials prevent fading
- ◆ Strong and durable for years of care-free operation
- ◆ Minimal care keeps blinds looking like new

2" Premium PVC Blinds

- ◆ Vast selection of textures, patterns and colors
- ◆ All styles available in matching 3¹/₂" vertical blinds
- ◆ Matching cloth tape ladders available



Premium 2-Inch Vinyl
PRICE CHART INDEX
2-INCH PREMIUM PVC HORIZONTAL BLINDS

PATTERN	PRICE GROUP	PATTERN	PRICE GROUP	PATTERN	PRICE GROUP
Beckley	P2	Madeira	P4	Shannon	P2
Cadiz	P2	Monaco	P4	Standard II	P1
Cala	P2	Natural Weave	P3	Velvet	P4
Fresno	P4	Riva	P2		

2-INCH PREMIUM PVC COLOR CHART

PRICE CHART P1		White	BK2501	SHANNON		PRICE CHART P4	
STANDARD II		CADIZ		Alabaster	SN2531	FRESNO	
CURVED		Beige	CZ2002	Chenille	SN2533	Beige	FR2054
Aspen Green	JD2064	Goldtone	CZ2007	Fawn	SN2534	Gray	FR2053
Beige	JD2021	Gray	CZ2003	Gray	SN2536	Off-White	FR2051
Bright White	JD2002	Off-White	CZ2001	Linen	SN2532	White	FR2050
Buttermilk	JD2024	White	CZ2000	White	SN2530	MADEIRA	
Ermine	JD2023	CALA		PRICE CHART P3		Beige	MD2067
Glademist	JD2026	Bone	CA2001	NATURAL WEAVE		Gray	MD2063
Off White	JD2011	Chalk	CA2000	Blonde	NW2002	Off-White	MD2061
Polar	JD2022	Claret	CA2008	Grain	NW2003	White	MD2060
Sand	JD2063	Husk	CA2002	Linen	NW2001	MONACO	
Smokestone	JD2025	Ocean	CA2003	Nutmeg	NW2006	Navajo	MN2013
		Sandstone	CA2007	Sage	NW2005	Pale Moon	MN2014
PRICE CHART P2		RIVA		Sunset	NW2004	Pebble	MN2017
BECKLEY		Camel	RI2002			Stone	MN2011
Alabaster	BK2502	Frost	RI2000			VELVET	
Almond	BK2503	Pearl	RI2001			Kashmir	VE2002
Chenille	BK2504					Polar	VE2000
Fawn	BK2510					Soapstone	VE2001

Premium 2-Inch Vinyl

PRICE GROUP
P1
**2-INCH PREMIUM PVC
 HORIZONTAL BLINDS**
 STANDARD RECTANGULAR

 ◆ SOLID COLORS
 • Standard II

WIDTH TO	23"	26"	29"	32"	36"	40"	44"	48"	52"	57"	62"	67"	72"	82"	92"	102"
42"	63	67	75	78	89	94	102	112	116	132	140	150	158	178	197	255
48"	67	73	80	90	96	103	110	125	132	145	155	162	175	197	216	276
54"	72	80	86	94	105	113	122	132	139	157	174	184	196	216	238	295
60"	79	85	90	101	110	122	132	141	151	168	180	193	206	231	255	315
66"	85	91	99	108	121	131	139	151	160	180	193	207	221	249	276	333
72"	90	98	107	113	128	144	151	160	182	193	213	222	238	267	295	353
78"	94	103	110	122	134	150	160	175	195	206	229	238	250	285	315	374
84"	102	109	118	128	149	157	171	180	206	218	235	250	267	301	333	397
90"	107	114	125	134	152	168	179	193	216	230	249	265	282	319	353	419
96"	110	121	133	151	160	175	189	205	230	244	262	278	297	337	374	442
102"	116	132	145	155	171	187	202	218	246	260	285	296	315	353	397	465
108"	122	142	164	167	182	198	216	240	261	283	295	314	332	371	419	488
114"	128	152	168	178	194	210	229	248	284	292	310	331	349	387	442	518
120"	133	162	179	189	206	221	241	261	293	307	326	348	366	405	465	681
126"	140	172	191	201	217	232	254	276	309	323	341	365	384	422	488	860

Multiple Blinds On One Headrail Recommended for sizes to the right of this heavy line.

STANDARD OPTIONS:

Matching 2-Slat Valance Standard No Charge
 Cord Tilt Standard, Wand Tilt, if specified No Charge
 Hold Down or Extension Brackets, if specified ... No Charge

SURCHARGE OPTIONS:

Two Blinds on One Headrail Add \$60
 Three Blinds on One Headrail Add \$80
 Striping Add per color per blind 25%
 Side Cut-Outs Add per cut-out \$70
 Matching Cloth Tape Surcharge Add upcharge of 50%
 Routless Add upcharge of 15%

**FACTORY ALLOWANCES
 & DEDUCTIONS:**

+ or - 1/8" variance

	INSIDE MOUNT	OUTSIDE MOUNT
Headrail	Less 1/2"	Ordered Size
Slats	Less 1/2"	Ordered Size
Valance	Less 1/8"	Plus 1 1/2"

SPECIFICATIONS:

Minimum Width (outside mount) 14"
Recommended Maximum Width (single blind) 72"
 (Over 72", two or three blinds on one headrail is recommended.)
 Maximum Width (outside mount) (multiple blinds) 102"
 Minimum Length 6"
 Maximum Length 126"
 Minimum Mounting Space 1 1/8"
 Flush Mounting Space Required 3"
 Outside Mount Flat Space Required 2 1/4"
 Outside Valance Returns 2 7/8"
 Average Weight per Blind (approx) ... per square foot 1.2 lbs.
 Blinds with widths less than 22" must have split controls.

**1 1/2" CLOTH TAPE
 COLORS**

515 Alice Blue	378 Cocoa	516 Pink
513 Beige	520 Dark Green	627 Powder
524 Black	429 Desert Tan	521 Red
600 Bone	511 Duck	522 Royal Blue
293 Bordeaux	512 Fawn	526 Rust
518 Canary	572 Forest	823 Silver
525 Cappuccino	685 Midnight	336 Toffee
503 Celadon	504 Moss	302 Taupe
334 Cherry	519 Mulberry	510 White
523 Chocolate	517 Pastel Green	430 Wheat

Premium 2-Inch Vinyl

PRICE GROUP
P2
2-INCH PREMIUM PVC HORIZONTAL BLINDS
 STANDARD RECTANGULAR

◆ PATTERNS

• Beckley • Cadiz • Cala • Riva • Shannon

WIDTH TO	23"	26"	29"	32"	36"	40"	44"	48"	52"	57"	62"	67"	72"	82"	92"	102"
42"	96	100	108	113	123	129	147	156	161	182	193	206	218	246	272	352
48"	100	112	121	127	133	142	152	165	172	199	213	224	241	285	297	380
54"	109	119	128	134	145	157	178	184	196	216	231	246	261	297	326	405
60"	118	125	133	141	158	174	182	194	228	238	250	266	284	319	352	433
66"	125	134	146	153	167	180	189	217	235	250	266	285	305	341	380	459
72"	135	142	157	165	177	189	208	227	260	266	288	307	326	367	405	486
78"	143	150	162	175	187	206	220	238	268	284	305	326	345	393	433	545
84"	147	158	171	187	199	222	235	250	284	300	325	350	367	415	459	604
90"	155	165	182	198	217	243	256	282	310	326	364	364	387	453	486	663
96"	161	177	193	212	230	254	273	295	333	355	381	405	450	503	545	721
102"	168	189	206	227	244	278	300	325	371	395	421	448	513	539	604	780
108"	175	202	218	241	259	304	328	355	408	436	461	492	576	590	663	839
114"	182	216	231	255	273	328	355	385	446	475	502	535	608	639	721	969
120"	189	229	244	271	287	352	382	415	483	516	542	578	668	690	780	1112
126"	197	241	257	285	301	376	408	446	520	557	582	620	728	740	839	1256

Multiple Blinds On One Headrail Recommended for sizes to the right of this heavy line.

STANDARD OPTIONS:

Matching 2-Slat Valance Standard No Charge
 Cord Tilt Standard, Wand Tilt, if specified No Charge
 Hold Down or Extension Brackets, if specified ... No Charge

SURCHARGE OPTIONS:

Two Blinds on One Headrail Add \$60
 Three Blinds on One Headrail Add \$80
 Striping Add per color per blind 25%
 Side Cut-Outs Add per cut-out \$70
 Matching Cloth Tape Surcharge Add upcharge of 50%
 Routless Add upcharge of 15%

FACTORY ALLOWANCES & DEDUCTIONS:

	INSIDE MOUNT	OUTSIDE MOUNT
+ or - 1/8" variance		
Headrail	Less 1/2"	Ordered Size
Slats	Less 1/2"	Ordered Size
Valance	Less 1/8"	Plus 1 1/2"

SPECIFICATIONS:

Minimum Width (outside mount) 14"
Recommended Maximum Width (single blind) 72"
 (Over 72", two or three blinds on one headrail is recommended.)
 Maximum Width (outside mount) (multiple blinds) 102"
 Minimum Length 6"
 Maximum Length 126"
 Minimum Mounting Space 1 1/8"
 Flush Mounting Space Required 3"
 Outside Mount Flat Space Required 2 1/4"
 Outside Valance Returns 2 7/8"
 Average Weight per Blind (approx) ... per square foot 1.2 lbs.
 Blinds with widths less than 22" must have split controls.

1 1/2" CLOTH TAPE COLORS		
515 Alice Blue	378 Cocoa	516 Pink
513 Beige	520 Dark Green	627 Powder
524 Black	429 Desert Tan	521 Red
600 Bone	511 Duck	522 Royal Blue
293 Bordeaux	512 Fawn	526 Rust
518 Canary	572 Forest	823 Silver
525 Cappuccino	685 Midnight	336 Toffee
503 Celadon	504 Moss	302 Taupe
334 Cherry	519 Mulberry	510 White
523 Chocolate	517 Pastel Green	430 Wheat

Premium 2-Inch Vinyl

PRICE GROUP
P3
2-INCH PREMIUM PVC HORIZONTAL BLINDS
 STANDARD RECTANGULAR

 ◆ PATTERNS
 • Natural Weave

WIDTH TO	23"	26"	29"	32"	36"	40"	44"	48"	52"	57"	62"	67"	72"	82"	92"	102"
42"	112	119	128	133	141	152	165	178	189	213	227	242	257	288	319	415
48"	119	128	142	147	157	168	179	194	202	235	252	262	285	319	349	447
54"	131	141	151	160	171	182	198	208	224	254	273	288	307	349	385	477
60"	139	146	157	171	179	198	213	229	244	273	293	312	333	375	415	510
66"	146	160	172	179	197	212	224	244	264	293	312	337	359	402	447	540
72"	155	168	184	195	208	224	244	259	298	326	340	361	385	433	477	573
78"	164	177	191	212	220	242	259	279	318	333	359	385	405	461	510	660
84"	174	187	207	220	243	254	277	293	333	355	382	405	433	488	540	746
90"	182	195	213	232	254	273	289	325	349	383	416	428	458	518	573	833
96"	188	208	227	250	272	298	321	348	393	417	448	496	508	574	660	919
102"	195	222	241	268	290	326	353	385	437	483	495	525	559	634	746	1004
108"	202	238	255	287	309	353	385	422	482	508	543	573	609	692	833	1091
114"	210	252	271	306	328	381	417	460	526	554	591	622	660	751	919	1235
120"	217	266	285	325	347	408	448	497	571	601	638	671	710	811	1004	1378
126"	224	279	298	343	365	436	480	535	615	647	685	719	760	870	1091	1522

Multiple Blinds On One Headrail Recommended for sizes to the right of this heavy line.

STANDARD OPTIONS:

Matching 2-Slat Valance Standard No Charge
 Cord Tilt Standard, Wand Tilt, if specified No Charge
 Hold Down or Extension Brackets, if specified ... No Charge

SURCHARGE OPTIONS:

Two Blinds on One Headrail Add \$60
 Three Blinds on One Headrail Add \$80
 Striping Add per color per blind 25%
 Side Cut-Outs Add per cut-out \$70
 Matching Cloth Tape Surcharge Add upcharge of 50%
 Routless Add upcharge of 15%

FACTORY ALLOWANCES & DEDUCTIONS:

+ or - 1/8" variance		
	INSIDE MOUNT	OUTSIDE MOUNT
Headrail	Less 1/2"	Ordered Size
Slats	Less 1/2"	Ordered Size
Valance	Less 1/8"	Plus 1 1/2"

SPECIFICATIONS:

Minimum Width (outside mount) 14"
Recommended Maximum Width (single blind) 72"
 (Over 72", two or three blinds on one headrail is recommended.)
 Maximum Width (outside mount) (multiple blinds) 102"
 Minimum Length 6"
 Maximum Length 126"
 Minimum Mounting Space 1 1/8"
 Flush Mounting Space Required 3"
 Outside Mount Flat Space Required 2 1/4"
 Outside Valance Returns 2 7/8"
 Average Weight per Blind (approx) ... per square foot 1.2 lbs.
 Blinds with widths less than 22" must have split controls.

1 1/2" CLOTH TAPE COLORS

515 Alice Blue	378 Cocoa	516 Pink
513 Beige	520 Dark Green	627 Powder
524 Black	429 Desert Tan	521 Red
600 Bone	511 Duck	522 Royal Blue
293 Bordeaux	512 Fawn	526 Rust
518 Canary	572 Forest	823 Silver
525 Cappuccino	685 Midnight	336 Toffee
503 Celadon	504 Moss	302 Taupe
334 Cherry	519 Mulberry	510 White
523 Chocolate	517 Pastel Green	430 Wheat

Premium 2-Inch Vinyl

PRICE GROUP
P4
2-INCH PREMIUM PVC HORIZONTAL BLINDS
 STANDARD RECTANGULAR

◆ PATTERNS

• Fresno • Madeira • Monaco • Velvet

WIDTH TO	23"	26"	29"	32"	36"	40"	44"	48"	52"	57"	62"	67"	72"	82"	92"	102"
42"	119	125	134	140	147	160	174	187	199	224	238	254	271	304	334	436
48"	125	134	150	155	165	177	188	205	212	248	264	283	299	334	366	470
54"	132	147	164	167	179	191	208	219	235	266	287	304	322	366	405	501
60"	145	153	172	177	188	208	224	240	255	287	308	328	350	394	436	535
66"	153	167	188	188	207	223	235	255	272	308	328	353	384	422	470	568
72"	163	177	194	206	219	235	255	272	315	328	358	385	405	455	501	602
78"	168	186	200	216	238	254	272	294	333	356	376	413	426	485	535	693
84"	183	196	211	231	248	272	292	308	350	373	402	426	455	514	568	783
90"	191	206	224	244	265	287	307	328	383	392	422	450	499	543	602	873
96"	198	219	238	262	285	314	338	365	413	438	471	499	534	604	693	964
102"	206	234	253	282	305	342	372	405	459	486	520	551	586	666	783	1055
108"	212	249	268	301	325	372	405	443	506	534	571	602	640	727	873	1145
114"	220	264	284	321	344	400	438	483	552	583	620	653	693	790	964	1297
120"	228	279	299	364	374	429	464	523	600	630	670	705	745	851	1055	1448
126"	235	294	314	370	384	458	504	561	646	679	719	756	799	913	1145	1598

Multiple Blinds On One Headrail Recommended for sizes to the right of this heavy line.

STANDARD OPTIONS:

Matching 2-Slat Valance Standard *No Charge*
 Cord Tilt Standard, Wand Tilt, if specified *No Charge*
 Hold Down or Extension Brackets, if specified ... *No Charge*

SURCHARGE OPTIONS:

Two Blinds on One Headrail *Add \$60*
 Three Blinds on One Headrail *Add \$80*
 Striping *Add per color per blind 25%*
 Side Cut-Outs *Add per cut-out \$70*
 Matching Cloth Tape Surcharge *Add upcharge of 50%*
 Routless *Add upcharge of 15%*

FACTORY ALLOWANCES & DEDUCTIONS:

+ or - 1/8" variance	INSIDE MOUNT	OUTSIDE MOUNT
Headrail	Less 1/2"	Ordered Size
Slats	Less 1/2"	Ordered Size
Valance	Less 1/8"	Plus 1 1/2"

SPECIFICATIONS:

Minimum Width (*outside mount*) 14"
Recommended Maximum Width (*single blind*) 72"
 (*Over 72", two or three blinds on one headrail is recommended.*)
 Maximum Width (*outside mount*) (*multiple blinds*) 102"
 Minimum Length 6"
 Maximum Length 126"
 Minimum Mounting Space 1 1/8"
 Flush Mounting Space Required 3"
 Outside Mount Flat Space Required 2 1/4"
 Outside Valance Returns 2 7/8"
 Average Weight per Blind (*approx*) ... *per square foot 1.2 lbs.*
 Blinds with widths less than 22" must have split controls.

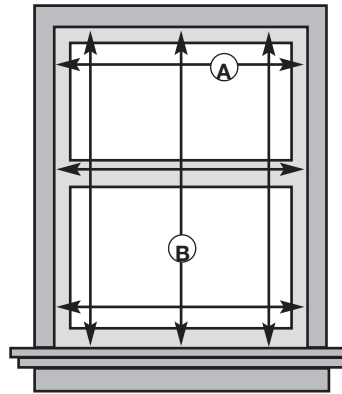
1 1/2" CLOTH TAPE COLORS		
515 Alice Blue	378 Cocoa	516 Pink
513 Beige	520 Dark Green	627 Powder
524 Black	429 Desert Tan	521 Red
600 Bone	511 Duck	522 Royal Blue
293 Bordeaux	512 Fawn	526 Rust
518 Canary	572 Forest	823 Silver
525 Cappuccino	685 Midnight	336 Toffee
503 Celadon	504 Moss	302 Taupe
334 Cherry	519 Mulberry	510 White
523 Chocolate	517 Pastel Green	430 Wheat

MEASURING GUIDELINES

Accurate measurements are essential, for both correct pricing and proper fit. Use only a hard-edged ruler or steel tape, never a cloth tape. For inside mounts, width measurements should be rounded down to the nearest 1/8" to prevent blind from binding against the window casing.

INSIDE MOUNTING (IB)

- For **width (A)**, measure across the window casing from one inside edge to the other in three places, top, middle, and bottom. Record the smallest width rounded down to the nearest 1/8".
- For **Length (B)**, measure the inside area from the top inside edge down to the top of the sill in three places, left, middle and right. Record the shortest length rounded up to the nearest 1/8".
- The factory will make all the necessary deductions for inside mount.

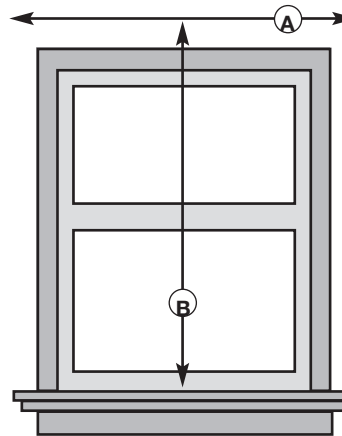


INSIDE BRACKET MOUNTING REQUIREMENTS:

- Minimum Depth of Mounting Surface Required: 1 1/8"
- Minimum Depth Required for Flush Mount: 3"

OUTSIDE MOUNTING (OB)

- For **width (A)**, measure from one edge of the casing to the other, then add a minimum of 4" (2" each side), for blind overlap. Record the measurement rounded up to the nearest 1/8".
- For **Length (B)**, measure from the top of the window sill up to the desired top of the blind. Again, record the measurements rounded up to the nearest 1/8".
- Outside mounted blinds are fabricated to order dimensions.

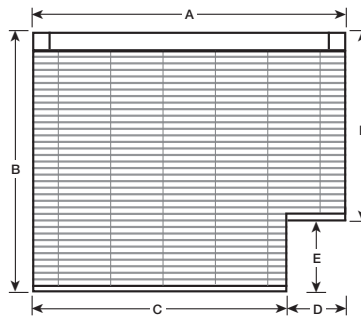


OUTSIDE BRACKET MOUNTING REQUIREMENTS:

- Minimum Mounting Surface Required: 2 1/4" x 1"
- Minimum Mounting Surface Required when using an Extension Bracket: 1 1/8" x 1 5/16"

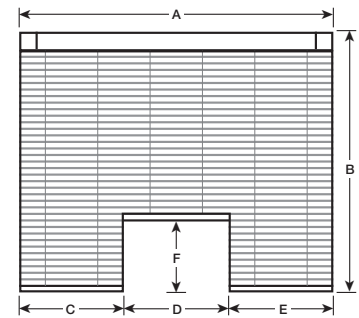
CUT-OUTS:

Cut-out blinds have rectangular areas removed from the blind to avoid obstructions (such as an air-conditioner). Cut-outs may be either from one of the bottom corners or from the bottom middle of the blind. While a template is not required, when ordering a cut-out blind, a diagram of the blind with all dimensions noted must be included.



SIDE CUT-OUT:

- A - Overall Width of Blind D - Width of Cut-Out
 B - Overall Length of Blind E - Height of Cut-Out
 C - Bottom Width of Blind F - Length of Shorter Side



CENTER CUT-OUT:

- A - Overall Width of Blind D - Width of Cut-Out
 B - Overall Length of Blind E - Bottom Right Side
 C - Bottom Left Side F - Height of Cut-Out

Premium 2-Inch Vinyl**CARE & CLEANING****ROUTINE CLEANING**

Our 2" Premium PVC horizontal blinds are easy to care for. Occasional dusting with a feather duster or low suction vacuuming with a brush attachment is all that is needed to keep these blinds looking like new. They may also be gently cleaned with a soft cloth using an over-the-counter blind cleaner.

MORE THOROUGH CLEANING

Our 2" PVC horizontal blinds may be taken down and dipped in the bathtub using a mild detergent.

WARRANTY**LIFETIME LIMITED WARRANTY**

Our 2-inch Premium PVC horizontal blinds carry a lifetime limited warranty that covers the blinds for as long as the original retail purchaser owns them, provided that the blinds were properly installed. It's the customer's assurance of satisfaction and quality.

