

Horizontal Aluminum Blinds

THE ALUMINUM COLLECTION

Worldwide's classic, always-appropriate 1/2" micro, 1-inch mini, and 2-inch blinds are available in .006 and .008 gauge slats.

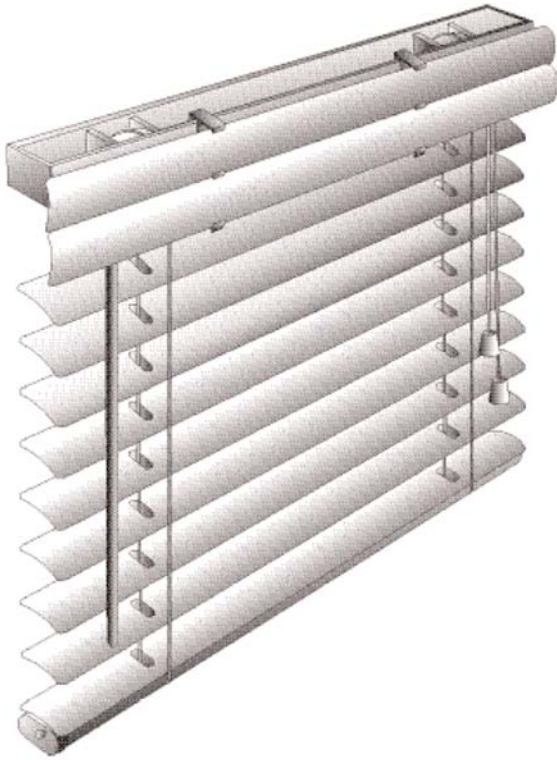
- ◆ Choose from ready made or custom made
- ◆ Choose from more than three dozen colors and hues to perfectly match your room décor
- ◆ Standard with hidden top loaded zinc plated metal bracket for 1/2" micro and 1" mini
- ◆ 2" standard with box brackets
- ◆ Crash proof cordlock
- ◆ Meets fire safety NFPA701 fire test #1
- ◆ Optional 1 1/2" headrail



Horizontal Blinds are offered in a variety of today's fashionable colors including Jewel Tones, Pearlized, Alumiwood & Metallics, offering fashion, superior quality, affordability and overall value.

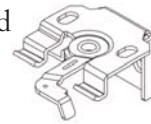
Horizontal Aluminum Blinds

READY MADE 1" ALUMINUM HORIZONTAL BLINDS



1" HORIZONTAL STANDARD FEATURES

- 1" x 1" Headrail
- 2 Slat Valance
- Wand control on the left. Cord control on the Right
- Available in 2 Colors:
112 Light Alabaster
018 Gloss White
- Inside Mount. Actual Width is 1/2" Less Than Size Listed
- Hidden Bracket, Zinc Plated



All Worldwide Window Fashions 1" ready made aluminum horizontal blinds are manufactured by our factories with the utmost care and quality. Our 1" ready made aluminum horizontal blinds carry the ISP 9002 series certification for meeting the high standards for quality manufacturing.

Horizontal Aluminum Blinds**CUSTOM MADE ALUMINUM MINI BLIND SPECIFICATION**

- Steel Head Rail:** Standard headrail is 1" high by 1-1/8" U shaped channel. Phosphate coated vinyl primered finished with a polyester baked enamel. Worldwide also offers 1" high by 1-1/2" integrated headrail in limited colors.
- Bottom Rail:** C shaped rail, phosphate coated and vinyl primered finished with a polyester baked enamel
- Slats:** Cold rolled spring tempered virgin aluminum slat. To have normal width of 1" and be 0.006" thickness after paint, to provide maximum strength and flexibility. Slats to be finished with a polyester baked enamel. Slat with 0.008" thickness after paint is available in limited colors.
- Tilter:** The tilter is worm gear design and is in an enclosed housing and secured by means of steel rivets to prevent separation. The stem is made of clear polycarbonate, the gear of polyacetal and the housing of clear polycarbonate, prelubed prior to assembly to assure durability and ease of use.
- Tilt Wand:** Tilt wand is plastic measuring approximately 5/16", fluted with grooves for non slip grip. Wood wand and tassel is available with a surcharge for Alumiwood.
- Cord Lock:** Cord lock is secured to the head rail channel by means of steel pins to prevent dislodgement. Lock body is constructed of clear polycarbonate, floating gear and lock pins are made of brass. Cord lock is crash- proof.
- Valance:** Double slat with clips to mount to 1" headrail. Channel panel valance available for surcharge. No valance required for 1-1/2" headrail.
- Tilt Drums:** Are polyacetal with steel tape fasteners to secure ladders to head rail
- Drum Supports:** Constructed of polypropylene with steel cord pin to reduce friction.
- Ladders:** Braided polyester with spacing of not more than 0.865" and arranged for total support of slat.
- Tilt Rod:** "D" shaped and galvanized to prevent corrosion.
- Lift Cord:** Is braided polyester and of sufficient length to control the raising and lowering of the blind.
- Installation Bracket:** **Standard hidden brackets. Zine plated to prevent corrosion.** Box bracket with hinged door is also available on request. Constructed of cold rolled steel. Finished with polyester baked enamel. Coating to match color of blind.
- Tassel:** Is cone shaped plastic.
- Fire Safety:** Blind materials meet or exceed specifications required by NFPA701 fire test #1.

COLOR COORDINATION CHART

Color Name	1" 6g Coil	1" 8g Coil	Micro 1/2" Coil	2" Coil	1" Rails	1-1/2" Rails	Ladder	Cord
SOLID COLORS								
Alabaster	017		5017	2017	017		017	017
Almost White	665	8665	5665	2665	665	15665	017	017
Apricot	263				263		263	263
Aqua Mist	522				522		374	374
Arctic Ice	189			2189	332		004	004
Atmosphere	610				610		027	027
Avocado	632				632		055	833
Beige Satin	611			2611	611		005	107
Biscuit	015				015		015	015
Black	012	8012	5012	2012	012	15012	012	012
Butter Scotch	408				408		015	015
Char Brown	662	8662		2662	662	15662	663	012
Dusty Rose	438		5438	2438	438		026	026
Dusty Yellow	432				432		015	015
Fawn	631		5631	2631	631		005	005
Federal Blue	027		5027		027		027	027
Garnet Red	255		5255		255		255	255
Gloss Black	070		5070	2070	012	15018	012	012
Gray Sheen	693				693		022	022
Gulf Blue	617			2617	027		027	027
Imperial Jade	178		5178	2178	178		178	178
Lavender Blue	565				565		027	027
Light Alabaster	112	8112		2112	665	15665	017	017
Light Aqua	566				566		374	374
Light Azalea	509				509		005	005
Light Turquoise	410				410		374	374
Matt White	014		5014	2014	018	15018	004	004
Mauve	233			2233	233		050	050
Pastel Peach	407		5407	2407	407		005	005
Pink	463		5463		463		020	050
Plum	455			2455	455		455	455
Raw Umber	606			2606	012	15012	012	012
Salmon	457				457		024	024
Smokey Gray	626		5626	2626	626		022	022
Teal	172		5172		172		095	095
Terra Cotta	024				024		024	024
Transparent Aluminum	091	8091	5091	2091	091	15091	022	022
True Blue	259				259		025	025
Turquoise	417				417		374	374
Vanilla	636			2636	636		017	017
White	018	8018	5018	2018	018	15018	004	004
Wisteria	502				502		231	231
ALUMIWOOD								
Jean Blue	799				799		022	022
Light Brown	759			2759	759		007	107
Oak Wood	754			2754	754		302	302
Walnut Wood	755			2755	755		007	107
JEWEL/PEARL								
Beige Pearl	908				611		005	005
Brown Gold	302				302		302	302
Fawn Pearl	907		5907		631		005	005
Sky Jewel	644		5644		644		027	027
METALLIX								
Brass Ingot	412				015		015	015
Mercury Silver	672				091	15091	022	022
Onyx Sky	119				012	15012	012	012
Silver Beige	1532				662	15662	012	012
Silver Blue	1533				091	15091	022	022
Umber Bronze	673				662	15662	662	012

BRACKETS

Standard bracket for 1/2" micro and 1" mini is hidden top mount bracket.

Box bracket available on request.

WAND SPECIFICATION

Drop	Wand length
=<25"	12"
25"-45"	20"
45"-55"	25"
55"-65"	30"
65"-85"	40"
85"-105"	50"
105"-125"	60"
> 125"	75"

TOTAL # OF BRACKETS FOR 1" AND 1/2"

STANDARD HIDDEN BRACKETS	
Width	# of Brackets
8"-36"	2
36"-60"	3
60"-85"	4
85"-105"	5
105"-120"	6

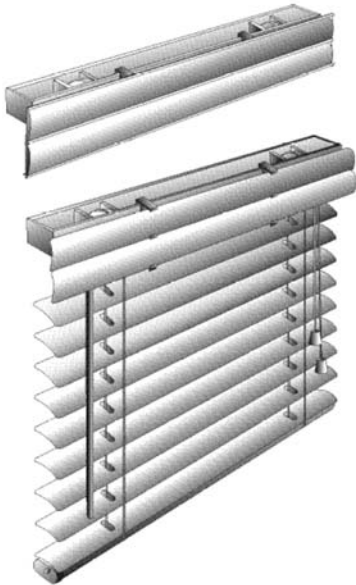
Standard Tassel: Clear

Standard Cord Height:
Approximately 1/2 of the blind drop

Standard Brackets for 2"
Box Brackets

Hardware Included
Standard installation brackets

Optional Hardware at No Charge
Per Request to Specific Order
Box Brackets for 1" and micro
Extension brackets
Hold down brackets
End mount brackets

Horizontal Aluminum Blinds
CUSTOM ALUMINUM HORIZONTAL BLINDS


Worldwide Window Fashions custom made aluminum blinds are manufactured to your precise specifications. All blinds are made with only first quality spring tempered aluminum slats, premium steel, color coordinated cords and ladders. Worldwide Window Fashions offers a variety of today's most fashionable colors and design choices including Jewel, Pearlized, Alumiwood, and Metallix collections. Worldwide Window Fashion's custom aluminum blinds combine high fashion with superior quality, affordability, dependability and overall value.

CUSTOM ALUMINUM COLOR CHART

1/2" MICRO MINI BLINDS		1" MINI BLINDS			2" ALUMINUM BLINDS			
MICRO MINI SOLID		1" MINI BLIND SOLID		457	Salmon	2" ALUMINUM BLIND SOLID		
5017	Alabaster	017	Alabaster	626	Smoky Gray			
5665	Almost White	665*	Almost White	172	Teal			
5012	Black	263	Apricot	024	Terra Cotta			
5438	Dusty Rose	522	Aqua Mist	091*	Transparent Aluminum		2017	Alabaster
5631	Fawn	189	Arctic Ice	259	True Blue		2665	Almost White
5027	Federal Blue	610	Atmosphere	417	Turquoise		2189	Arctic Ice
5255	Garnet Red	632	Avocado	636	Vanilla		2611	Beige Satin
5070	Gloss Black	611	Beige Satin	018*	White		2012	Black
5178	Imperial Jade	015	Biscuit	502	Wisteria		2662	Char Brown
5014	Matte White	012*	Black	* Items marked with an asterisk available in 6 and 8 gauge		2438	Dusty Rose	
5407	Pastel Peach	408	Butter Scotch	1" MINI BLIND JEWEL/PEARL		2631	Fawn	
5463	Pink	662*	Char Brown	908	Beige Pearl	2070	Gloss Black	
5626	Smoky Gray	438	Dusty Rose	302	Brown Gold	2617	Gulf Blue	
5172	Teal	432	Dusty Yellow	907	Fawn Pearl	2178	Imperial Jade	
5091	Transparent Aluminum	631	Fawn	644	Sky Jewel	2112	Light Alabaster	
5018	White	027	Federal Blue	1" MINI BLIND METALLIX		2014	Matte White	
MICRO MINI PEARL		255	Garnet Red	412	Brass Ingot	2233	Mauve	
5907	Fawn Pearl	070	Gloss Black	672	Mercury Silver	2407	Pastel Peach	
MICRO MINI JEWEL		693	Gray Sheen	119	Onyx Sky	2455	Plum	
5644	Sky Jewel	617	Gulf Blue	1532	Silver Beige	2606	Raw Umber	
		178	Imperial Jade	1533	Silver Blue	2626	Smoky Gray	
		565	Lavender Blue	673	Umber Bronze	2091	Transparent Aluminum	
		112*	Light Alabaster	1" MINI BLIND ALUMIWOOD		2636	Vanilla	
		566	Light Aqua	799	Blue Denim	2018	White	
		509	Light Azalea	759	Light Brown	2" ALUMINUM BLIND ALUMIWOOD		
		410	Light Turquoise	754	Oak	2754	Golden Oak	
		014	Matte White	755	Walnut	2759	Medium Oak	
		233	Mauve			2755	Walnut	
		407	Pastel Peach					
		463	Pink					
		455	Plum					
		606	Raw Umber					

1-Inch Mini-Blinds

PRICE GROUP
1

**1-INCH MINI ALUMINUM
 HORIZONTAL BLINDS**
 STANDARD RECTANGULAR

- ◆ CLASSIC ROUTED SLATS
- ◆ 6 GAUGE SLAT

WIDTH TO	23"	26"	29"	32"	36"	40"	44"	48"	52"	57"	62"	67"	72"	82"	92"	102"	112"	122"
42"	28	32	36	38	42	48	50	54	58	64	68	72	78	88	96	110	118	128
48"	32	36	38	42	48	52	56	58	62	70	74	82	86	96	104	120	130	142
54"	36	38	42	44	52	56	60	64	68	78	82	88	92	104	116	130	142	154
60"	38	42	44	50	56	60	64	68	72	84	88	94	100	114	124	142	152	164
66"	40	44	50	54	60	64	68	74	80	90	94	100	108	122	134	152	164	180
72"	44	48	52	56	62	68	72	78	82	92	96	102	110	130	148	162	176	190
78"	48	52	56	60	66	72	80	84	90	100	108	116	122	140	154	174	186	202
84"	50	54	60	66	70	78	84	90	96	108	116	122	130	148	162	182	200	216
90"	54	58	64	68	78	84	90	96	104	116	124	132	142	158	176	196	214	234
96"	58	62	68	72	84	90	96	104	114	126	136	146	154	172	190	214	232	252
102"	60	66	72	78	88	96	102	112	120	132	144	154	162	184	204	228	248	272
108"	64	70	74	82	92	100	110	118	124	140	150	160	172	192	214	240	262	284
114"	66	72	80	86	96	104	114	122	130	146	158	170	180	204	224	250	274	298
120"	70	78	84	90	100	110	120	128	136	154	164	176	188	212	234	264	286	310

2 or 3 blinds on one rail recommended for sizes to the right of this heavy line.

WIDTH TO	23"	26"	29"	32"	36"	40"	44"	48"	52"	57"	62"	67"	72"	82"	92"	102"	112"	122"
1-1/2" Headrail	5	5	6	6	7	8	8	9	9	10	11	12	12	14	15	17	19	20

Note: 1-1/2" Headrail is available in white (018), light alabaster (112), transparent aluminum (091), black (012), and char brown (662)

PRICE GROUP
2

**1-INCH MINI ALUMINUM
 HORIZONTAL BLINDS**
 STANDARD RECTANGULAR

- ◆ CLASSIC ROUTED SLATS
- ◆ 8 GAUGE SLAT

WIDTH TO	23"	26"	29"	32"	36"	40"	44"	48"	52"	57"	62"	67"	72"	82"	92"	102"	112"	122"
42"	35	40	45	47	52	60	62	67	72	80	85	90	97	110	120	137	147	160
48"	40	45	47	52	60	65	70	72	77	87	92	102	107	120	130	150	162	177
54"	45	47	52	55	65	70	75	80	85	97	102	110	115	130	145	162	177	192
60"	47	52	55	62	70	75	80	85	90	105	110	117	125	142	155	177	190	205
66"	50	55	62	67	75	80	85	92	100	112	117	125	135	152	167	190	205	225
72"	55	60	65	70	77	85	90	97	102	115	120	127	137	162	185	202	220	237
78"	60	65	70	75	82	90	100	105	112	125	135	145	152	175	192	217	232	252
84"	62	67	75	82	87	97	105	112	120	135	145	152	162	185	202	227	250	270
90"	67	72	80	85	97	105	112	120	130	145	155	165	177	197	220	245	267	292
96"	72	77	85	90	105	112	120	130	142	157	170	182	192	215	237	267	290	315
102"	75	82	90	97	110	120	127	140	150	165	180	192	202	230	255	285	310	340
108"	80	87	92	102	115	125	137	147	155	175	187	200	215	240	267	300	327	355
114"	82	90	100	107	120	130	142	152	162	182	197	212	225	255	280	312	342	372
120"	87	97	105	112	125	137	150	160	170	192	205	220	235	265	292	330	357	387

2 or 3 blinds on one rail recommended for sizes to the right of this heavy line.

WIDTH TO	23"	26"	29"	32"	36"	40"	44"	48"	52"	57"	62"	67"	72"	82"	92"	102"	112"	122"
1-1/2" Headrail	5	5	6	6	7	8	8	9	9	10	11	12	12	14	15	17	19	20

Note: 1-1/2" Headrail is available in white (018), light alabaster (112), transparent aluminum (091), black (012), and char brown (662)

REFER TO PAGE AL9 FOR OPTIONAL SURCHARGES

1-Inch Mini-Blinds
PRICE GROUP
3
1-INCH MINI ALUMINUM HORIZONTAL BLINDS
 STANDARD RECTANGULAR

- ◆ CLASSIC ROUTED SLATS
- ◆ JEWEL & METALLIX™ COLLECTION

WIDTH TO	23"	26"	29"	32"	36"	40"	44"	48"	52"	57"	62"	67"	72"	82"	92"	102"	112"	122"
42"	32	37	42	44	49	56	58	63	68	75	80	84	91	103	112	129	138	150
48"	37	42	44	49	56	61	65	68	72	82	87	96	101	112	122	141	152	167
54"	42	44	49	51	61	65	70	75	80	91	96	103	108	122	136	152	167	181
60"	44	49	51	58	65	70	75	80	84	98	103	110	117	134	145	167	178	192
66"	47	51	58	63	70	75	80	87	94	105	110	117	127	143	157	178	192	211
72"	51	56	61	65	72	80	84	91	96	108	112	120	129	152	174	190	207	223
78"	56	61	65	70	77	84	94	98	105	117	127	136	143	164	181	204	218	237
84"	58	63	70	77	82	91	98	105	112	127	136	143	152	174	190	214	235	254
90"	63	68	75	80	91	98	105	112	122	136	145	155	167	185	207	230	251	275
96"	68	72	80	84	98	105	112	122	134	148	160	171	181	202	223	251	272	296
102"	70	77	84	91	103	112	120	131	141	155	169	181	190	216	240	268	291	320
108"	75	82	87	96	108	117	129	138	145	164	176	188	202	225	251	282	308	334
114"	77	84	94	101	112	122	134	143	152	171	185	200	211	240	263	294	322	350
120"	82	91	98	105	117	129	141	150	160	181	192	207	221	249	275	310	336	364

2 or 3 blinds on one rail recommended for sizes to the right of this heavy line. ←

WIDTH TO	23"	26"	29"	32"	36"	40"	44"	48"	52"	57"	62"	67"	72"	82"	92"	102"	112"	122"
1-1/2" Headrail	5	5	6	6	7	8	8	9	9	10	11	12	12	14	15	17	19	20

Note: 1-1/2" Headrail is available in white (018), light alabaster (112), transparent aluminum (091), black (012), and char brown (662)

PRICE GROUP
4
1-INCH MINI ALUMINUM HORIZONTAL BLINDS
 STANDARD RECTANGULAR

- ◆ CLASSIC ROUTED SLATS
- ◆ PEARL COLLECTION

WIDTH TO	23"	26"	29"	32"	36"	40"	44"	48"	52"	57"	62"	67"	72"	82"	92"	102"	112"	122"
42"	36	41	46	49	54	62	65	70	75	83	88	93	101	114	124	143	153	166
48"	41	46	49	54	62	67	72	75	80	91	96	106	111	124	135	156	169	184
54"	46	49	54	57	67	72	78	83	88	101	106	114	119	135	150	169	184	200
60"	49	54	57	65	72	78	83	88	93	109	114	122	130	148	161	184	197	213
66"	52	57	65	70	78	83	88	96	104	117	122	130	140	158	174	197	213	234
72"	57	62	67	72	80	88	93	101	106	119	124	132	143	169	192	210	228	247
78"	62	67	72	78	85	93	104	109	117	130	140	150	158	182	200	226	241	262
84"	65	70	78	85	91	101	109	117	124	140	150	158	169	192	210	236	260	280
90"	70	75	83	88	101	109	117	124	135	150	161	171	184	205	228	254	278	304
96"	75	80	88	93	109	117	124	135	148	163	176	189	200	223	247	278	301	327
102"	78	85	93	101	114	124	132	145	156	171	187	200	210	239	265	296	322	353
108"	83	91	96	106	119	130	143	153	161	182	195	208	223	249	278	312	340	369
114"	85	93	104	111	124	135	148	158	169	189	205	221	234	265	291	325	356	387
120"	91	101	109	117	130	143	156	166	176	200	213	228	244	275	304	343	371	403

2 or 3 blinds on one rail recommended for sizes to the right of this heavy line. ←

REFER TO PAGE A19 FOR OPTIONAL SURCHARGES

1-Inch Mini-Blinds
PRICE GROUP
5
1-INCH MINI ALUMINUM HORIZONTAL BLINDS
 STANDARD RECTANGULAR

- ◆ CLASSIC ROUTED SLATS
- ◆ ALUMIWOOD™ COLLECTION

WIDTH TO	23"	26"	29"	32"	36"	40"	44"	48"	52"	57"	62"	67"	72"	82"	92"	102"	112"	122"
42"	40	46	52	55	60	69	72	78	84	92	98	104	113	127	139	159	171	185
48"	46	52	55	60	69	75	81	84	89	101	107	118	124	139	150	174	188	205
54"	52	55	60	63	75	81	87	92	98	113	118	127	133	150	168	188	205	223
60"	55	60	63	72	81	87	92	98	104	121	127	136	145	165	179	205	220	237
66"	58	63	72	78	87	92	98	107	116	130	136	145	156	176	194	220	237	261
72"	63	69	75	81	89	98	104	113	118	133	139	147	159	188	214	234	255	275
78"	69	75	81	87	95	104	116	121	130	145	156	168	176	203	223	252	269	292
84"	72	78	87	95	101	113	121	130	139	156	168	176	188	214	234	263	290	313
90"	78	84	92	98	113	121	130	139	150	168	179	191	205	229	255	284	310	339
96"	84	89	98	104	121	130	139	150	165	182	197	211	223	249	275	310	336	365
102"	87	95	104	113	127	139	147	162	174	191	208	223	234	266	295	330	359	394
108"	92	101	107	118	133	145	159	171	179	203	217	232	249	278	310	348	379	411
114"	95	104	116	124	139	150	165	176	188	211	229	246	261	295	324	362	397	432
120"	101	113	121	130	145	159	174	185	197	223	237	255	272	307	339	382	414	449

2 or 3 blinds on one rail recommended for sizes to the right of this heavy line.

OPTIONAL SURCHARGES:

- ◆ **Multi-Color Blinds:**
 - First Added Color Add \$40
 - Each Additional Color Add \$40
- ◆ **2 Blinds On One Headrail:**
 - Price each blind individually, add together, then Add \$40
- ◆ **3 Blinds On One Headrail:**
 - Price each blind individually, add together, then Add \$70
- ◆ **Alumiwood:**
 - Wood wand and tassel Add \$10 per blind
- ◆ **Under-Sized Blinds:**
 - Blinds 8 1/4" - 12" Wide (Center tilt only) Add \$50
 - Blinds 7" - 8" Wide (Center tilt only) Add \$70
- ◆ **Cut-Out Blinds:**
 - Side Cut-Out Add \$20 per side
 - Center Cut-Out Add \$20 per blind
- ◆ **Skylights:**
 - Up to 48" Add \$250
 - 48"-60" Add \$320
 - Skylight pole Add \$70
- ◆ **Channel Valance:** Add \$12 per blind

Micro Mini-Blinds

PRICE GROUP		1/2-INCH MICRO ALUMINUM HORIZONTAL BLINDS																	◆ CLASSIC ROUTED SLATS	
6		STANDARD RECTANGULAR																	◆ SOLID COLLECTION	
WIDTH TO		23"	26"	29"	32"	36"	40"	44"	48"	52"	57"	62"	67"	72"	82"	92"	102"	112"	120"	
HEIGHT TO	42"	48	51	56	58	71	77	83	87	93	104	111	119	126	142	156	176	192	210	
	48"	51	56	60	64	78	84	89	96	102	115	122	131	138	155	171	195	211	230	
	54"	56	60	66	71	84	91	97	103	110	124	133	142	150	170	185	212	230	251	
	60"	59	64	72	75	89	96	104	111	119	134	144	154	163	184	203	228	250	272	
	66"	66	71	77	84	95	103	111	120	128	145	155	165	175	198	218	246	268	291	
	72"	70	75	83	87	102	110	120	128	137	155	165	175	188	212	234	263	286	312	
	78"	72	79	86	93	108	118	127	137	146	164	176	188	199	225	250	280	305	333	
	84"	77	84	91	99	115	124	136	145	155	174	187	198	212	239	264	297	324	368	
	90"	80	88	97	103	121	132	143	154	164	184	197	211	224	253	280	316	341	389	
	96"	85	93	101	108	129	138	150	162	173	194	209	223	236	268	296	333	376	409	
102"	89	98	106	114	134	146	158	170	182	204	219	234	250	281	312	366	394	430		
108"	93	101	110	120	140	154	166	180	192	214	230	246	261	295	326	383	414	451		

2 or 3 blinds on one rail recommended for sizes to the right of this heavy line. ←

WIDTH TO		23"	26"	29"	32"	36"	40"	44"	48"	52"	57"	62"	67"	72"	82"	92"	102"	112"	122"
1-1/2" Headrail		5	5	6	6	7	8	8	9	9	10	11	12	12	14	15	17	19	20

Note: 1-1/2" Headrail is available in white (018), light alabaster (112), transparent aluminum (091), black (012), and char brown (662)

PRICE GROUP		1/2-INCH MICRO ALUMINUM HORIZONTAL BLINDS																	◆ CLASSIC ROUTED SLATS	
7		STANDARD RECTANGULAR																	◆ JEWEL COLLECTION	
WIDTH TO		23"	26"	29"	32"	36"	40"	44"	48"	52"	57"	62"	67"	72"	82"	92"	102"	112"	120"	
HEIGHT TO	42"	56	60	66	68	84	91	97	102	110	123	131	140	149	167	184	207	225	248	
	48"	60	66	71	76	91	99	104	113	120	135	143	154	162	182	201	229	248	271	
	54"	66	71	77	84	99	107	114	122	129	146	156	167	177	200	217	249	270	295	
	60"	69	76	84	89	104	113	123	131	140	158	169	181	192	216	238	269	294	320	
	66"	77	84	91	98	112	122	131	141	151	171	182	194	206	233	257	289	315	342	
	72"	82	89	97	103	120	130	141	151	161	182	194	206	221	249	276	310	337	368	
	78"	85	93	101	109	127	139	150	161	172	193	207	221	235	265	294	329	359	392	
	84"	91	99	108	116	135	146	160	171	182	205	220	234	249	281	310	350	381	433	
	90"	94	104	115	122	142	155	168	181	193	216	232	249	264	298	329	371	401	457	
	96"	100	109	119	128	152	163	177	191	204	229	245	263	278	316	348	392	443	482	
102"	104	116	124	135	158	172	186	200	214	240	257	276	294	331	367	431	464	506		
108"	110	119	129	141	165	181	195	212	225	251	270	289	307	348	384	451	487	531		

2 or 3 blinds on one rail recommended for sizes to the right of this heavy line. ←

REFER TO PAGE AL11 FOR OPTIONAL SURCHARGES

Micro Mini-Blinds

PRICE GROUP 8	1/2-INCH MICRO ALUMINUM HORIZONTAL BLINDS		◆ CLASSIC ROUTED SLATS ◆ PEARL COLLECTION																
	STANDARD RECTANGULAR																		
WIDTH TO	23"	26"	29"	32"	36"	40"	44"	48"	52"	57"	62"	67"	72"	82"	92"	102"	112"	120"	
HEIGHT TO	42"	62	66	73	76	93	100	108	113	121	136	145	154	165	185	204	229	249	274
	48"	66	73	78	84	101	110	115	125	132	150	159	170	180	202	223	253	274	300
	54"	73	78	85	93	110	118	126	135	143	162	173	185	195	222	240	276	299	327
	60"	76	84	93	98	115	125	136	145	154	174	187	200	212	239	264	297	325	354
	66"	85	93	100	109	124	135	145	156	167	189	201	214	228	258	284	320	348	378
	72"	91	98	108	114	132	144	156	167	178	201	214	228	244	276	305	342	372	406
	78"	94	103	112	121	140	154	166	178	190	214	229	244	259	293	325	364	397	433
	84"	100	110	119	129	150	162	177	189	201	227	243	258	276	311	343	387	421	478
	90"	104	115	127	135	157	171	186	200	214	239	256	275	292	330	364	411	444	505
	96"	111	121	132	141	168	180	195	211	225	253	271	291	307	349	385	433	489	532
	102"	115	128	138	149	174	190	205	222	237	265	285	305	325	366	405	476	513	559
108"	121	132	143	156	183	200	216	234	249	278	299	320	340	384	424	498	538	586	

2 or 3 blinds on one rail recommended for sizes to the right of this heavy line. ←

OPTIONAL SURCHARGES:

- ◆ **Multi-Color Blinds:**
 - First Added Color Add \$40
 - Each Additional Color Add \$40
- ◆ **2 Blinds On One Headrail:**
 - Price each blind individually, add together, then Add \$40
- ◆ **3 Blinds On One Headrail:**
 - Price each blind individually, add together, then Add \$70
- ◆ **Under-Sized Blinds:**
 - Blinds 8 1/4" - 12" Wide (Center tilt only) Add \$50
 - Blinds 7" - 8" Wide (Center tilt only) Add \$70
- ◆ **Cut-Out Blinds:**
 - Side Cut-Out Add \$20 per side
 - Center Cut-Out Add \$20 per blind
- ◆ **Skylights:**
 - Up to 48" Add \$250
 - 48"-60" Add \$320
 - Skylight pole Add \$70
- ◆ **Channel Valance:** Add \$12 per blind

PRICE GROUP
9
**2-INCH ALUMINUM
 HORIZONTAL BLINDS**
 STANDARD RECTANGULAR

- ◆ CLASSIC ROUTED SLATS
- ◆ SOLID COLLECTION

2-Inch Blinds

WIDTH TO	23"	26"	29"	32"	36"	40"	44"	48"	52"	57"	62"	67"	72"	82"	92"	102"	112"	122"	132"	142"
42"	49	53	57	62	69	75	82	87	92	106	111	120	126	143	156	179	194	212	225	241
48"	53	57	63	69	77	83	89	94	102	116	124	132	140	156	172	196	212	232	249	264
54"	57	63	70	74	83	90	98	100	110	125	135	143	152	171	189	213	231	252	270	288
60"	62	69	74	81	89	98	105	111	121	136	144	155	164	185	204	231	250	274	293	312
66"	68	73	81	86	97	105	111	122	129	145	155	165	177	198	219	248	268	294	315	335
72"	71	79	84	91	103	111	121	129	137	155	168	178	189	213	235	265	288	315	336	359
78"	75	83	90	98	109	119	128	137	147	165	178	189	201	227	251	282	306	335	359	383
84"	81	88	96	104	116	125	136	145	156	177	189	201	213	242	266	299	325	356	381	406
90"	84	92	100	109	122	134	144	155	165	185	198	212	226	255	282	317	344	376	403	431
96"	88	98	106	115	129	141	152	162	173	196	210	225	238	269	298	335	364	396	424	455
102"	94	103	111	121	136	147	159	171	183	205	221	235	250	283	315	351	382	417	448	477
108"	98	107	117	126	142	155	168	180	192	215	231	246	263	298	330	368	402	437	470	503
114"	102	111	122	132	148	162	176	189	201	226	242	259	276	312	344	387	421	458	492	525
120"	106	117	128	137	155	169	182	196	210	235	252	270	287	325	361	404	439	478	514	548
126"	110	122	133	144	162	177	190	205	219	245	263	282	301	339	376	421	458	498	536	569

2 or 3 blinds on one rail recommended for sizes to the right of this heavy line. ←

PRICE GROUP
10
**2-INCH ALUMINUM
 HORIZONTAL BLINDS**
 STANDARD RECTANGULAR

- ◆ CLASSIC ROUTED SLATS
- ◆ JEWEL COLLECTION

WIDTH TO	23"	26"	29"	32"	36"	40"	44"	48"	52"	57"	62"	67"	72"	82"	92"	102"	112"	122"	132"	142"
42"	58	63	67	73	82	88	97	103	109	124	131	141	148	169	184	211	228	249	264	284
48"	63	67	74	81	91	98	105	110	120	137	145	155	164	184	202	230	250	273	293	311
54"	67	74	82	87	98	105	115	118	130	147	159	169	179	201	223	251	272	297	317	339
60"	73	81	87	95	105	115	124	131	142	160	170	182	193	218	240	272	295	323	344	367
66"	80	86	95	101	114	124	131	143	152	171	183	194	209	233	258	292	316	346	371	395
72"	84	92	99	107	121	130	142	152	162	183	198	209	223	251	276	312	339	371	396	422
78"	88	98	105	115	128	140	151	162	173	194	209	223	236	268	295	332	360	394	422	451
84"	95	103	113	122	137	147	160	171	183	208	222	236	251	285	313	352	383	419	449	478
90"	99	109	118	128	144	158	169	182	194	218	233	250	266	300	331	373	405	442	475	507
96"	104	115	125	136	152	166	179	191	203	230	247	264	280	316	350	394	428	466	499	536
102"	110	121	130	142	160	173	187	201	215	242	260	276	295	333	370	413	450	490	528	561
108"	115	126	137	148	167	182	198	211	226	253	272	289	309	350	388	433	473	515	553	591
114"	120	131	144	155	174	190	207	222	236	266	285	305	325	367	405	456	495	539	578	618
120"	124	137	150	162	182	199	214	231	247	276	297	317	338	383	424	475	517	563	604	645
126"	129	144	156	169	190	208	224	241	258	288	310	331	354	399	442	496	538	586	631	669

2 or 3 blinds on one rail recommended for sizes to the right of this heavy line. ←

OPTIONAL SURCHARGES:

- ◆ **Multi-Color Blinds:**
 - First Added Color Add \$40
 - Each Additional Color Add \$40
- ◆ **2 Blinds On One Headrail:**
 - Price each blind individually, add together, then Add \$40
- ◆ **3 Blinds On One Headrail:**
 - Price each blind individually, add together, then Add \$70
- ◆ **1-1/2" Cloth Tape:** Add 20%
- ◆ **Under-Sized Blinds:**
 - Blinds 8 1/4"- 12" Wide (Center tilt only) Add \$50
 - Blinds 7"- 8" Wide (Center tilt only) Add \$70
- ◆ **Cut-Out Blinds:**
 - Side Cut-Out Add \$20 per side
 - Center Cut-Out Add \$20 per blind
- ◆ **Skylights:**
 - Up to 48" Add \$250
 - 48"-60" Add \$320
 - Skylight pole Add \$70
- ◆ **Channel Valance:** Add \$12 per blind

2-Inch Blinds

PRICE GROUP
11

**2-INCH ALUMINUM
 HORIZONTAL BLINDS**
 STANDARD RECTANGULAR

- ◆ CLASSIC ROUTED SLATS
- ◆ ALUMIWOOD™ COLLECTION

WIDTH TO	23"	26"	29"	32"	36"	40"	44"	48"	52"	57"	62"	67"	72"	82"	92"	102"	112"	122"	132"	142"
42"	71	77	82	90	101	109	119	127	134	153	162	174	183	208	227	260	281	307	326	350
48"	77	82	92	100	112	121	129	136	148	168	179	191	203	227	250	284	308	337	362	383
54"	82	92	102	107	121	130	142	146	160	181	196	208	221	248	275	309	335	366	391	418
60"	91	100	107	117	129	142	153	162	175	197	209	225	238	269	296	335	363	398	424	452
66"	98	106	117	125	141	153	162	177	187	210	225	240	257	287	318	360	389	426	457	486
72"	103	114	122	133	149	161	175	187	199	225	244	258	275	309	341	385	418	457	488	521
78"	108	121	130	142	158	173	186	199	214	240	258	275	291	330	364	409	444	486	521	556
84"	117	127	139	151	168	181	198	210	226	256	274	291	309	351	386	434	472	516	553	589
90"	122	134	146	158	178	194	209	225	239	269	287	308	327	370	409	460	499	545	585	625
96"	128	142	154	168	187	204	221	235	250	284	304	326	345	390	432	486	527	575	615	660
102"	136	149	161	175	197	214	230	248	266	298	321	341	363	411	456	509	554	604	650	692
108"	142	156	169	183	206	225	244	261	279	312	335	357	381	432	479	534	583	634	682	729
114"	148	162	178	191	214	235	255	274	291	327	352	376	400	452	499	562	610	665	713	762
120"	153	169	185	199	225	245	264	285	305	341	366	391	417	472	523	586	637	694	745	795
126"	200	223	242	262	294	322	347	373	399	445	479	512	547	617	683	766	832	906	975	1035

2 or 3 blinds on one rail recommended for sizes to the right of this heavy line. ←

OPTIONAL SURCHARGES:

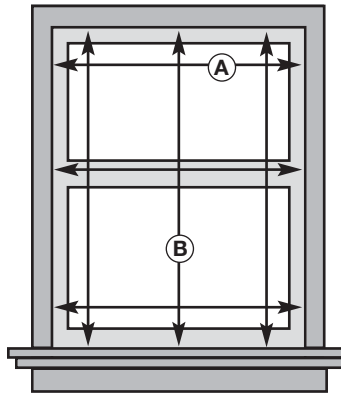
- ◆ **Multi-Color Blinds:**
 - First Added Color Add \$40
 - Each Additional Color Add \$40
- ◆ **2 Blinds On One Headrail:**
 - Price each blind individually, add together, then Add \$40
- ◆ **3 Blinds On One Headrail:**
 - Price each blind individually, add together, then Add \$70
- ◆ **1-1/2" Cloth Tape:** Add 20%
- ◆ **Alumiwood:**
 - Wood wand and tassel Add \$10 per blind
- ◆ **Under-Sized Blinds:**
 - Blinds 8 1/4" - 12" Wide (Center tilt only) Add \$50
 - Blinds 7" - 8" Wide (Center tilt only) Add \$70
- ◆ **Cut-Out Blinds:**
 - Side Cut-Out Add \$20 per side
 - Center Cut-Out Add \$20 per blind
- ◆ **Skylights:**
 - Up to 48" Add \$250
 - 48"-60" Add \$320
 - Skylight pole Add \$70
- ◆ **Channel Valance:** Add \$12 per blind

Horizontal Aluminum Blinds
MEASURING GUIDELINES

Accurate measurements are essential, for both correct pricing and proper fit. Use only a hard-edged ruler or steel tape, never a cloth tape. For inside mounts, width measurements should be rounded down to the nearest 1/8" to prevent blind from binding against the window casing.

INSIDE MOUNTING (IB)

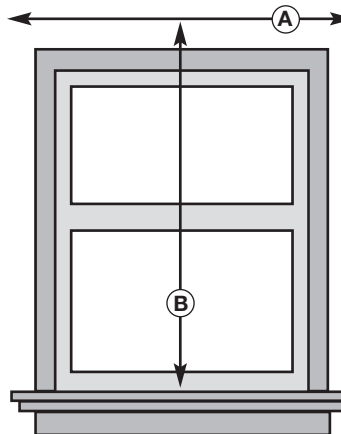
- For **width** (A), measure across the window casing from one inside edge to the other in three places, top, middle, and bottom. Record the smallest width rounded down to the nearest 1/8".
- For **Length** (B), measure the inside area from the top inside edge down to the top of the sill in three places, left, middle and right. Record the shortest length rounded down to the nearest 1/8".
- The factory will make all the necessary deductions for inside mount.


INSIDE BRACKET MOUNTING REQUIREMENTS:

- Minimum Depth of Mounting Surface Required for 1/2" micro & 1" mini. 1/2" Required for 2" 1 1/8"
- Minimum Depth Required for Flush Mount for 1/2" micro & 1" mini. 2 1/8" Required for 2" 3"

OUTSIDE MOUNTING (OB)

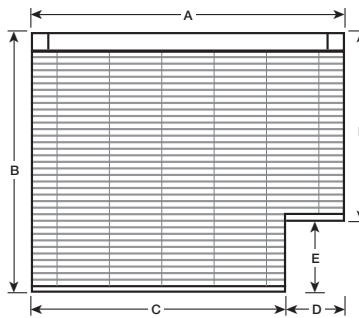
- For **width** (A), measure from one edge of the casing to the other, then add a minimum of 4" (2" each side), for blind overlap. Record the measurement rounded up to the nearest 1/8".
- For **Length** (B), measure from the top of the window sill up to the desired top of the blind. Again, record the measurements rounded up to the nearest 1/8".
- Outside mounted blinds are fabricated to order dimensions.


OUTSIDE BRACKET MOUNTING REQUIREMENTS:

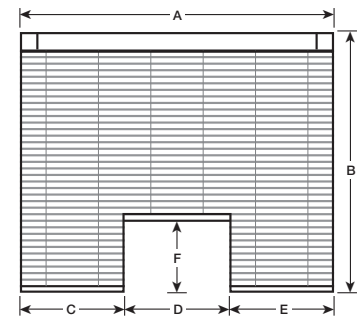
- Minimum Mounting Surface Required for 1/2" micro & 1" mini. 3/4" x 1" Required for 2" 1 1/8"
- Minimum Mounting Surface Required when using an Extension Bracket for 1/2" micro, 1" mini & 2" 1 1/8" x 1 5/16"

CUT-OUTS:

Cut-out blinds have rectangular areas removed from the blind to avoid obstructions (such as an air-conditioner). Cut-outs may be either from one of the bottom corners or from the bottom middle of the blind. While a template is not required, when ordering a cut-out blind, a diagram of the blind with all dimensions noted must be included.



SIDE CUT-OUT:
 A - Overall Width of Blind D - Width of Cut-Out
 B - Overall Length of Blind E - Height of Cut-Out
 C - Bottom Width of Blind F - Length of Shorter Side



CENTER CUT-OUT:
 A - Overall Width of Blind D - Width of Cut-Out
 B - Overall Length of Blind E - Bottom Right Side
 C - Bottom Left Side F - Height of Cut-Out

Horizontal Aluminum Blinds**CARE & CLEANING****ROUTINE CLEANING**

Aluminum horizontal blinds are easy to care for. Occasional dusting with a feather duster or low suction vacuuming with a brush attachment is all that is needed to keep the blind looking new. They may also be gently cleaned with a soft cloth using an over-the-counter blind cleaner.

MORE THOROUGH CLEANING

Aluminum horizontal blinds may be taken down and dipped in the bathtub using a mild detergent.

PROFESSIONAL CLEANING

Aluminum horizontal blinds may be ultrasonically cleaned for superior results.

WARRANTY**LIMITED LIFETIME WARRANTY**

Our ready made aluminum horizontal blinds carry a 2 year warranty. Our custom aluminum horizontal blinds carry a lifetime limited warranty that covers the blinds for as long as the original retail purchaser owns them, provided that the blinds were properly installed. It's the customer's assurance of satisfaction and quality.

